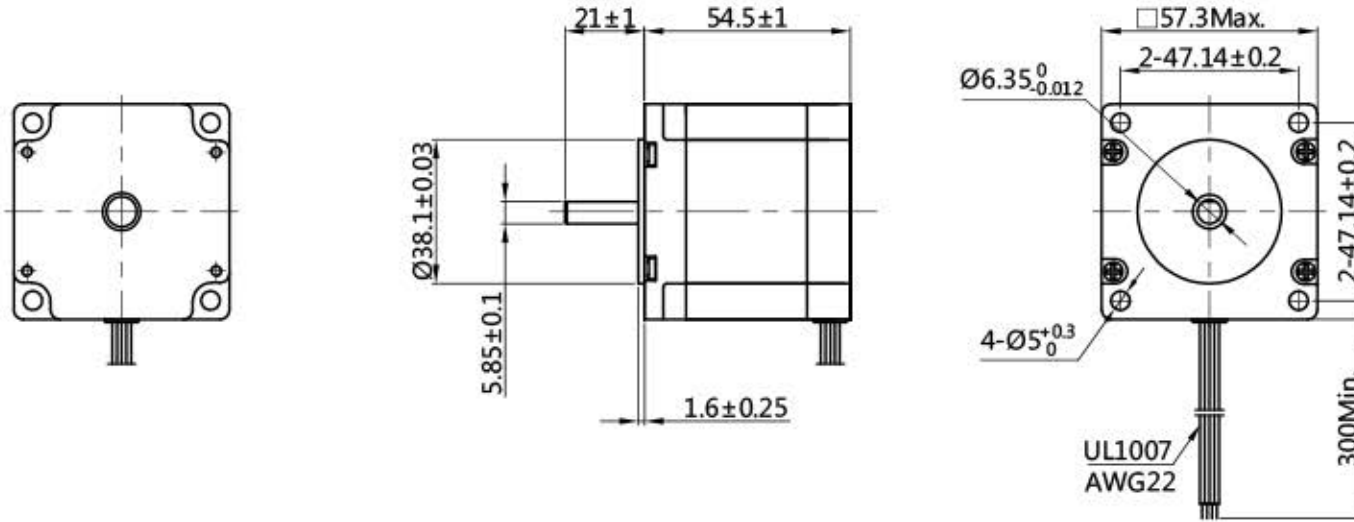
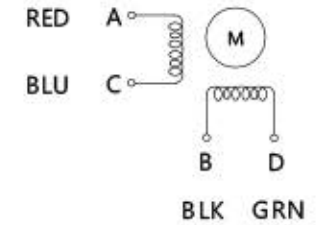


HYBRID STEPPING MOTOR SPECIFICATION

DIMENSIONS unit=mm



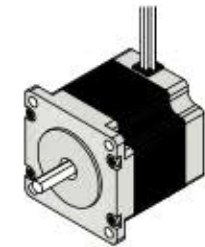
Wiring Diagram



Exciting Sequence vs. Direction of Rotation

STEP	A	B	C	D	
1	+	+	-	-	↓ CCW ↑ CW
2	-	+	+	-	
3	-	-	+	+	
4	+	-	-	+	

Clockwise view from mounting side



1. Number of Phase	2	Specifications	Comment	REV. REVISION RECORD DATE DESIGN STANDARD TECHNOLOGY CHECK APPROVE	常州倍士福机电有限公司 www.besfoc.cn Specification
2. Step Angle	18° deg.				
3. Rated Voltage	2.5 V				
4. Rated Current/Phase	2.8 A (Peak Value)				
5. Phase Resistance	0.9 Ω±0.1(20°C)				
6. Phase Inductance	2.5 mH±20%(1kHz 1V RMS)				
7. Holding Torque	12.6 Kg.cm				
8. Insulation Class	B (130°) ; 80K Max.				
9. Weight	0.7 kg				

TITLE	STEPPING MOTOR				
DWG.NO.	BF57HS56-2804-03				
MATERIAL	ECN SIGN	✳	SIZE	A4	
REV.	A	SCALE	1:2	SHEET	1 of 1